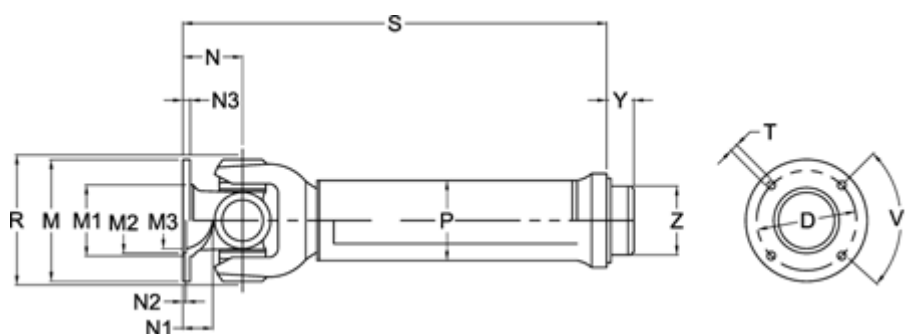


Article number: 071480710328110
 Description: Cardan drive shaft 0.148.071.001
 S=328 X=110 Bore with keyway

Measures



D	= 155,5 +/-0,1	N1	= 32	T	= 12 B
Extension X	= 110	N2	= 3,6 +0,5	V1 degrees	= 45
Flange diameter M	= 180	N3	= 10	Y	= 25
M1	= 126	Number of Flangeholes	= 8	Z	= 72.25
M2	= 110	P	= 80x4		
M3	= 76	R1	= 138		
Max. Bending Angle degrees	= 20	S min	= 328		
N	= 65	Spline dim. DIN 5480	= 55x2,5x20		